

1/24 Super detail engine bay

24T028

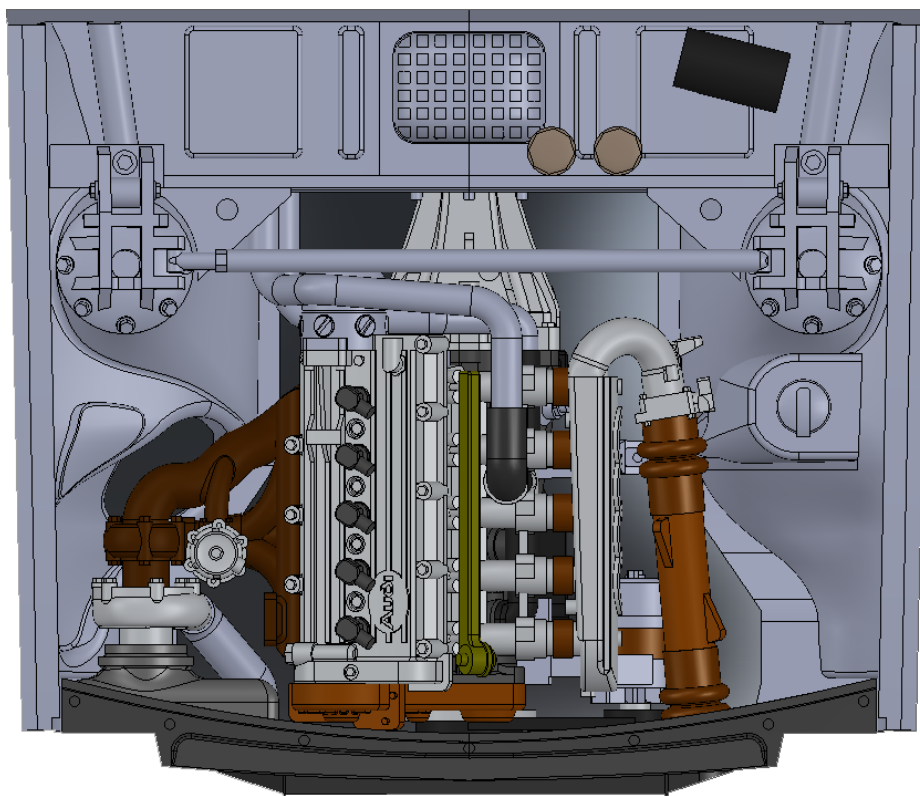
kit for Audi Quattro S1

Beemax B24017

USCP



ukrainian scale cars production



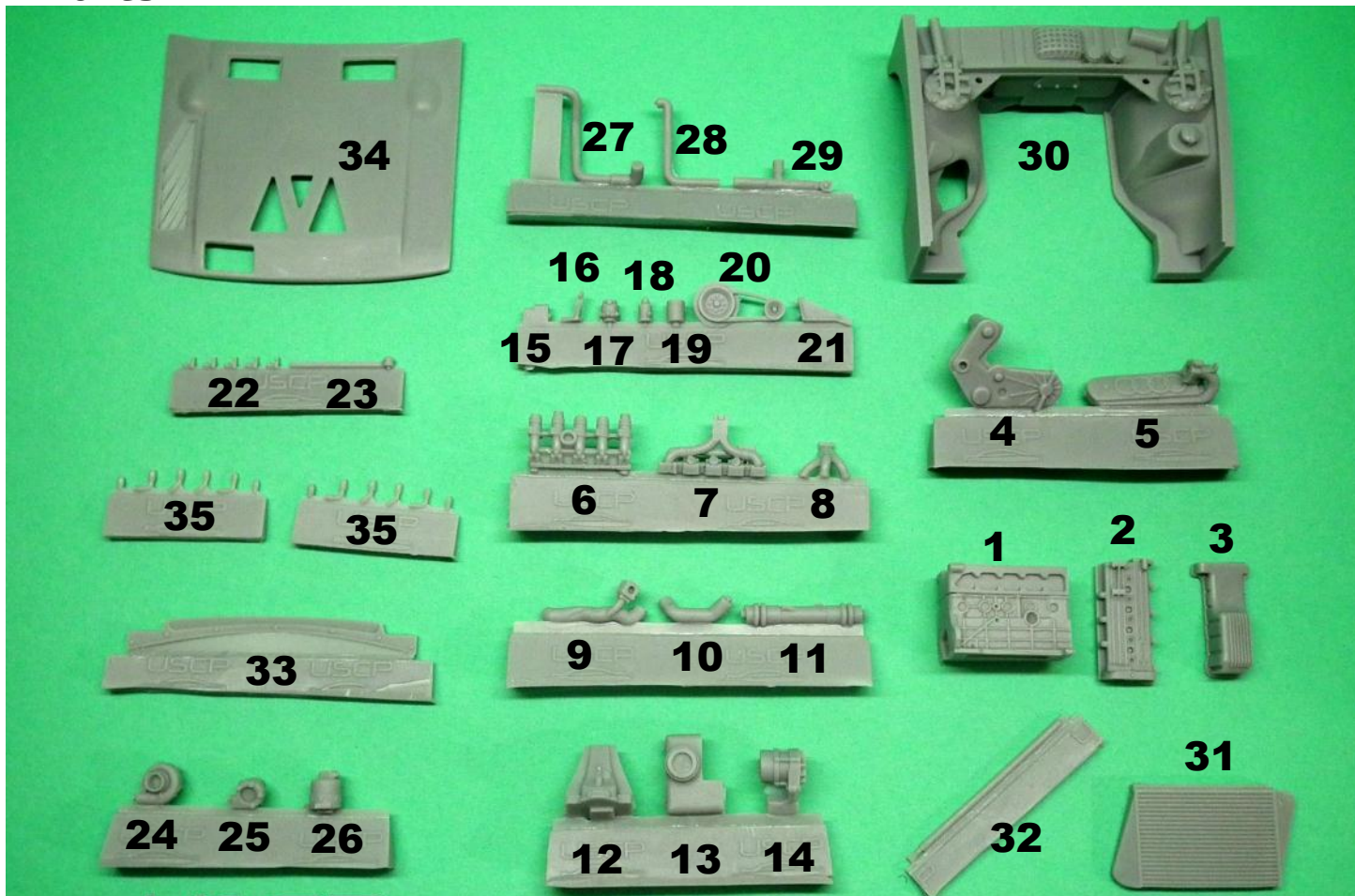
Audi Quattro S1 Gr.B ***Engine bay set***

ASSEMBLY INSTRUCTION

2019

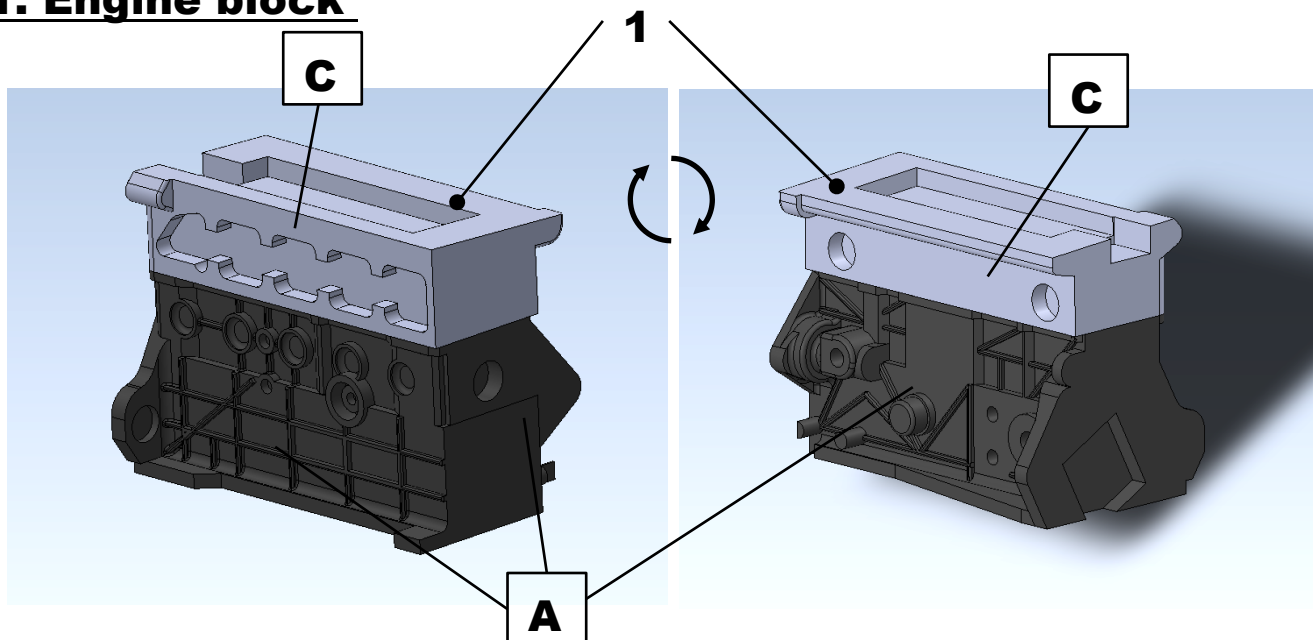
Made in Ukraine

Parts:

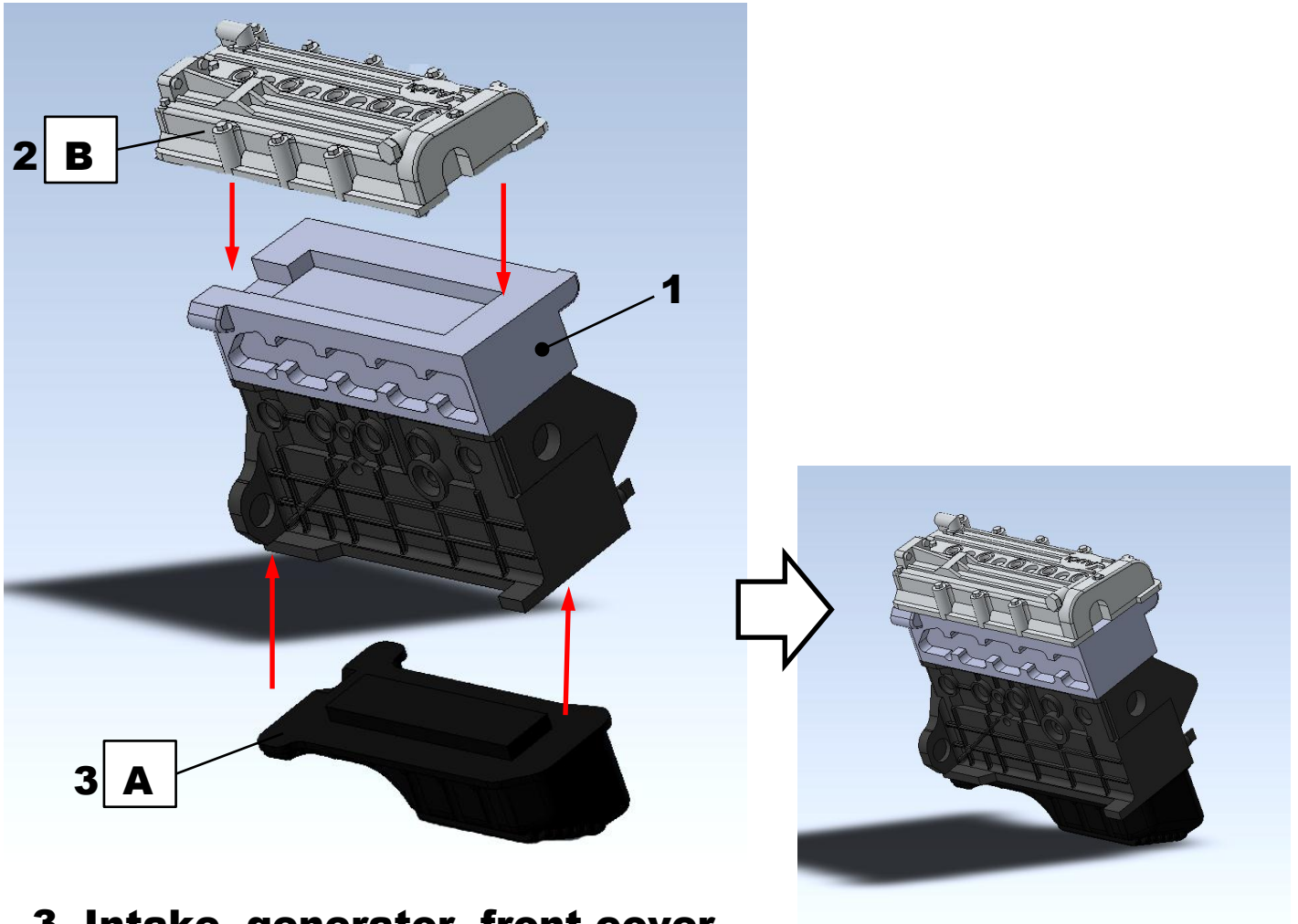


Colors:	E - orange-red
A - semi gloss black	F - exhaust color
B - aluminum	G - gold
C - steel	H - moon white
D - flat black	I - body color
	J - sand yellow

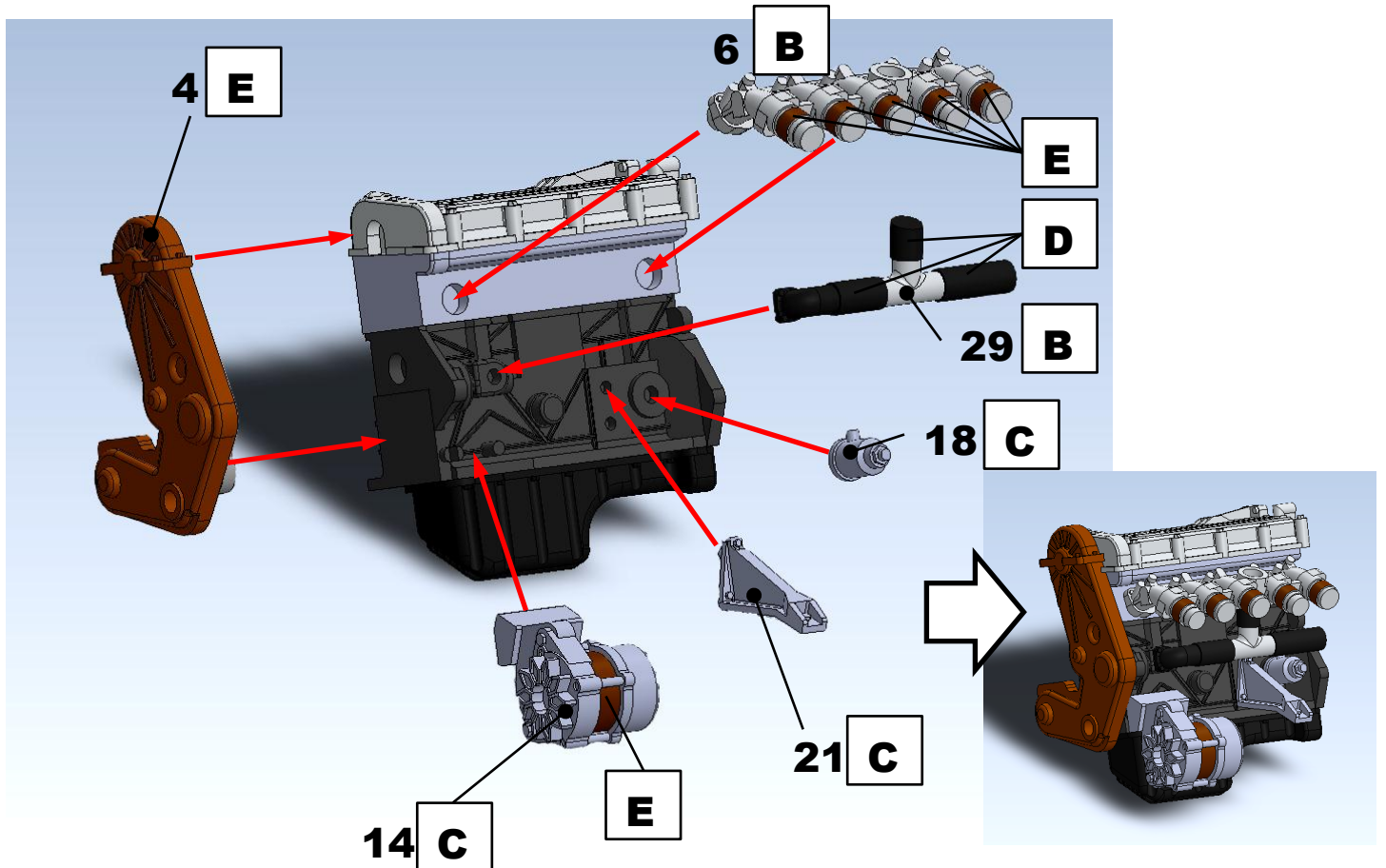
1. Engine block



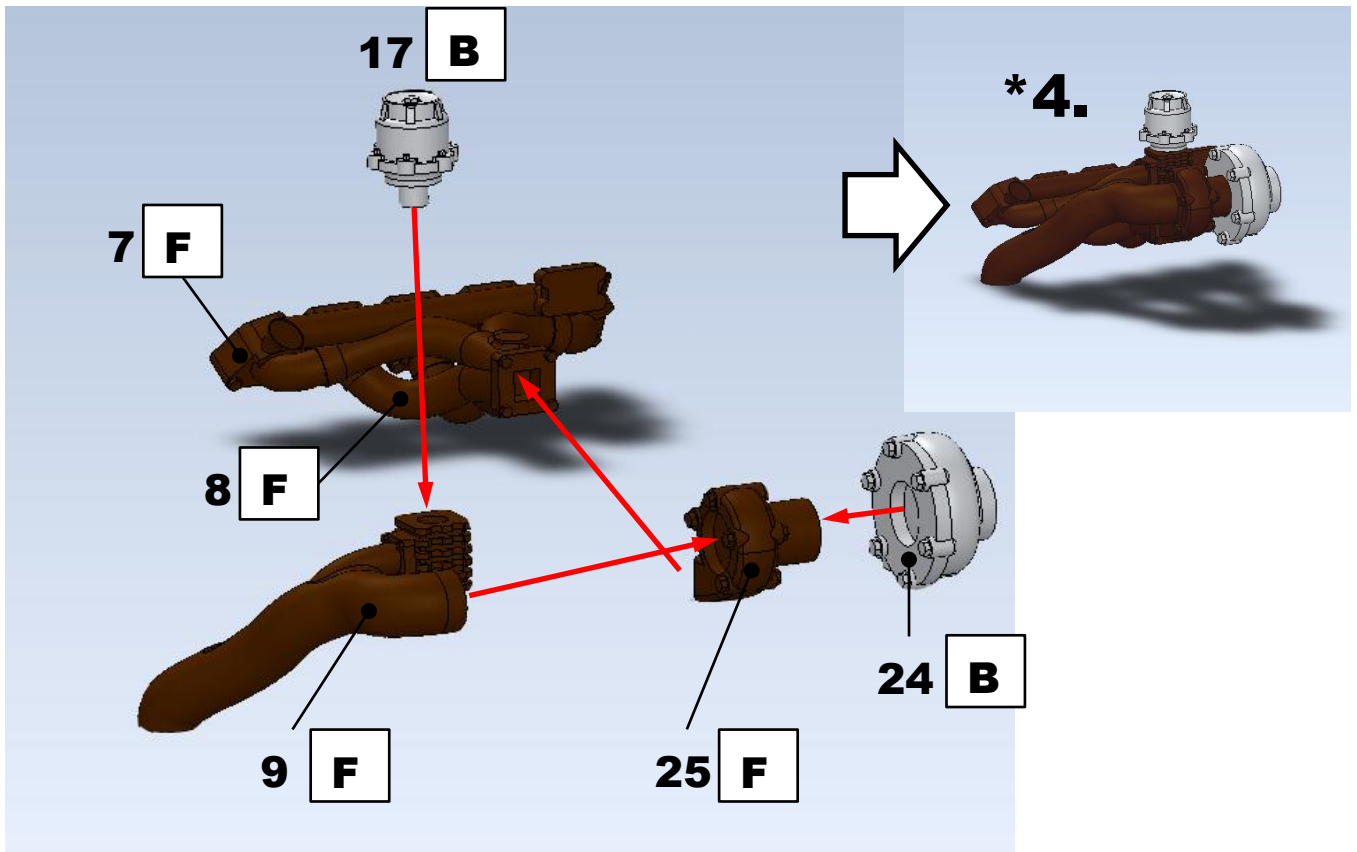
2. Valve cover and oil pan



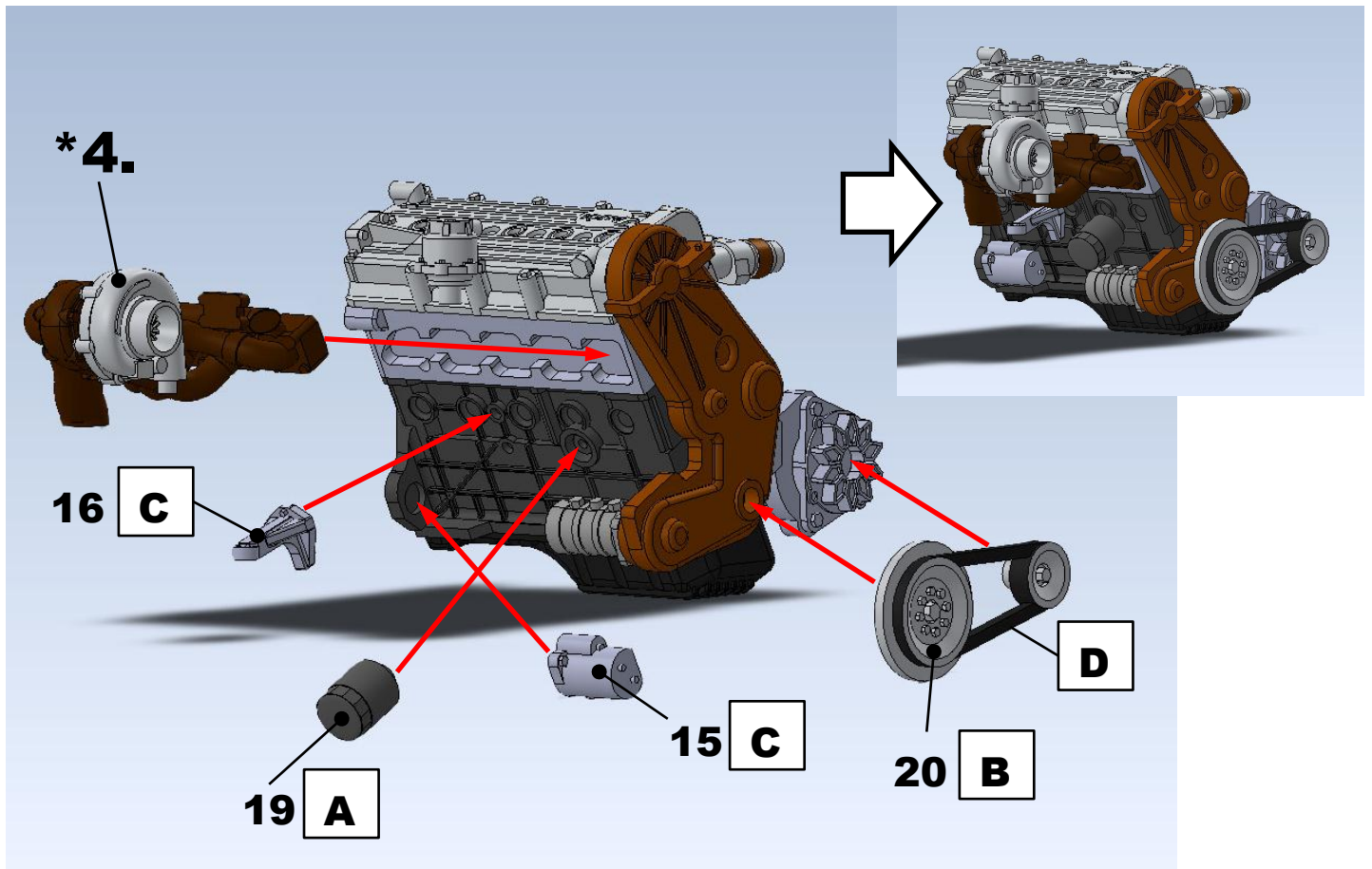
3. Intake, generator, front cover



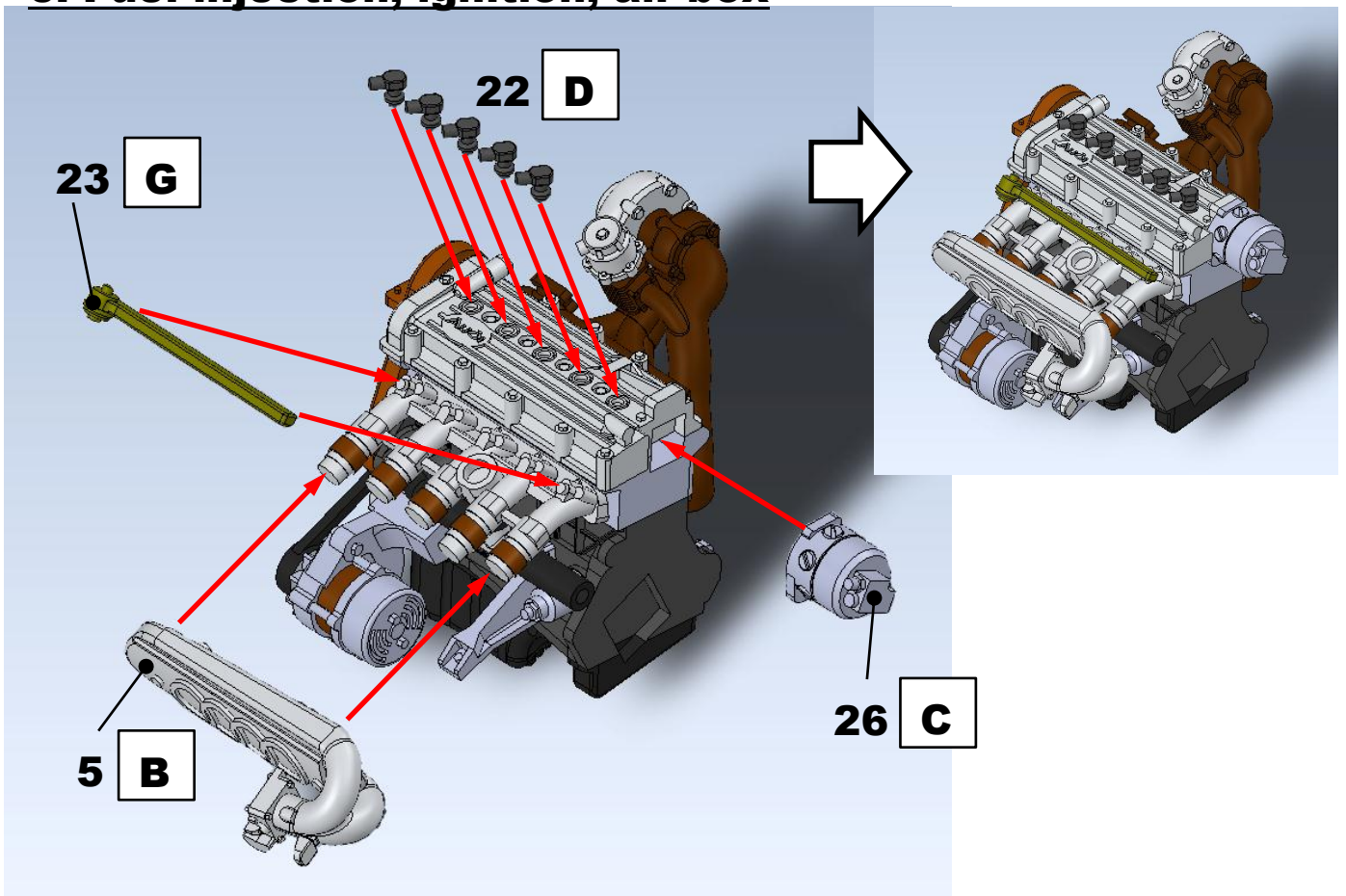
4. Exhaust and Turbo



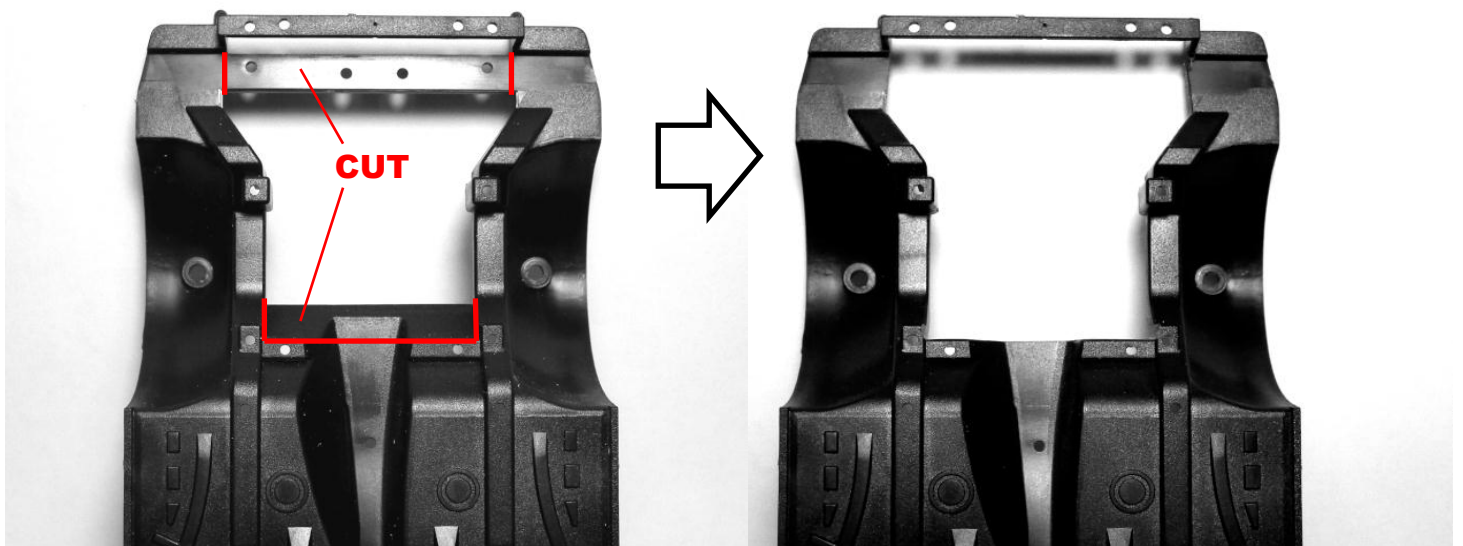
5. Exhaust and Turbo installation, starter, oil filter

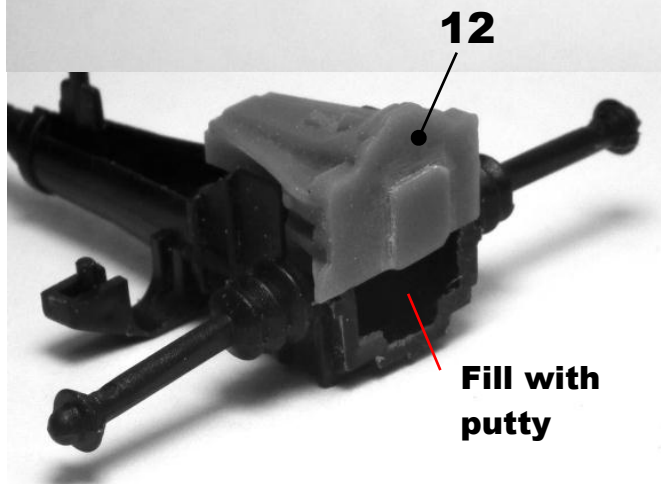
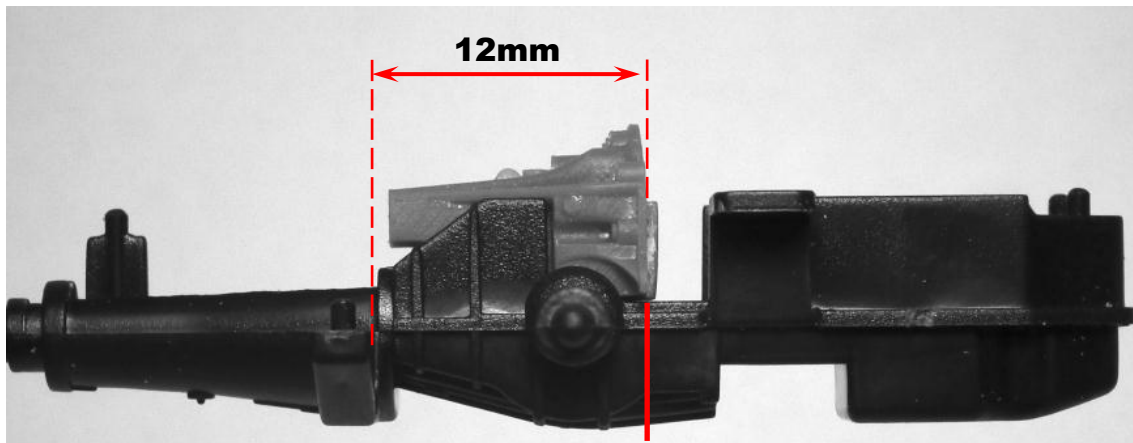


6. Fuel injection, ignition, air box

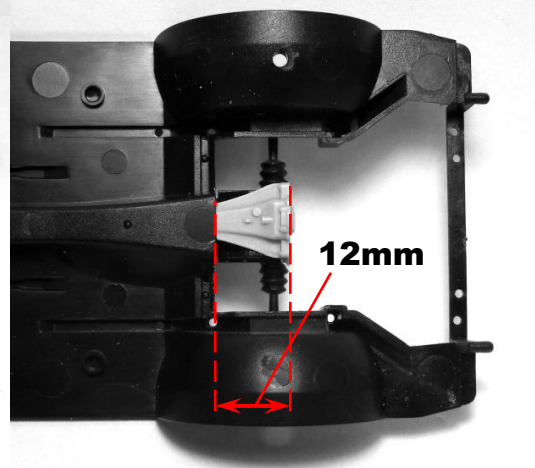


7. Preparing kit parts for resin parts installation

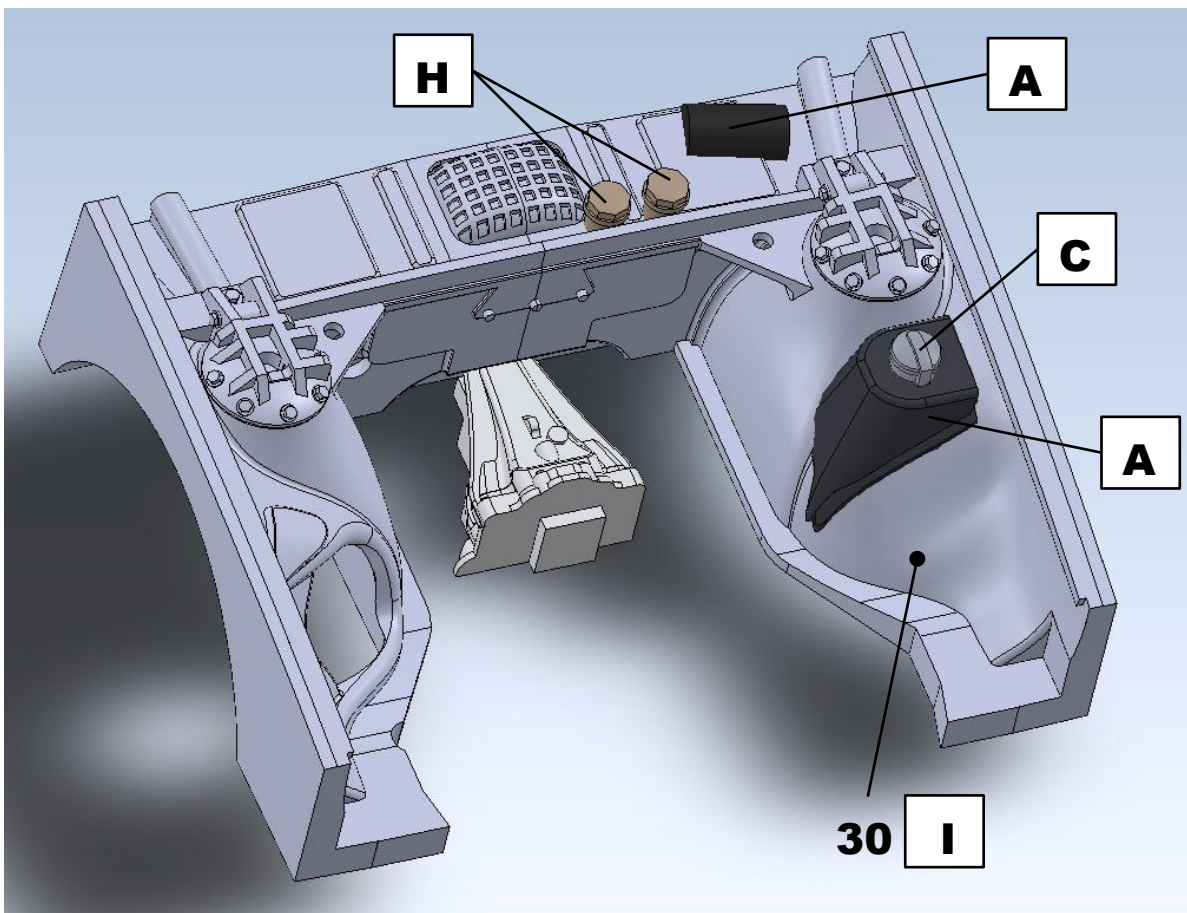




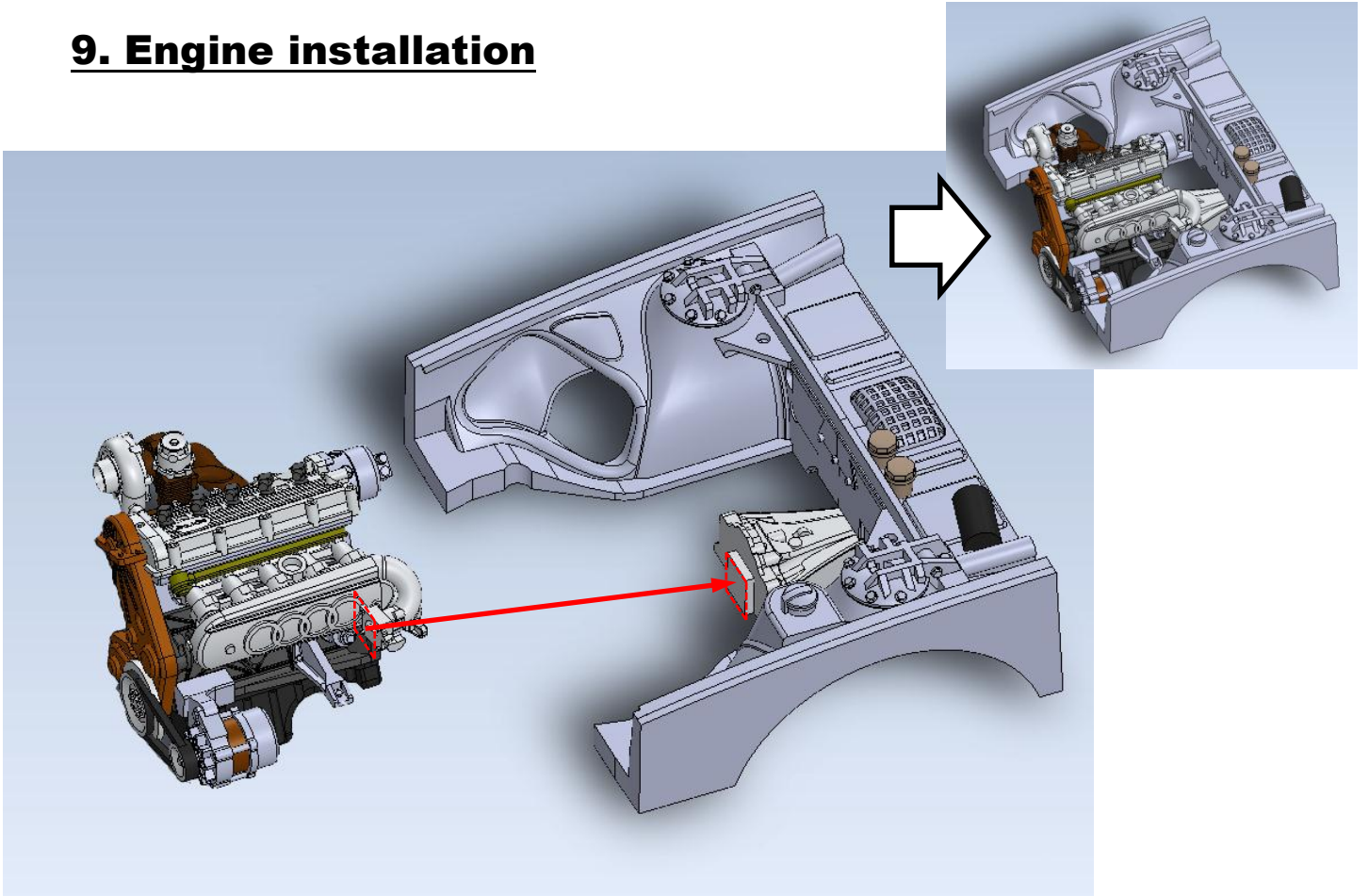
Install gearbox to chassis



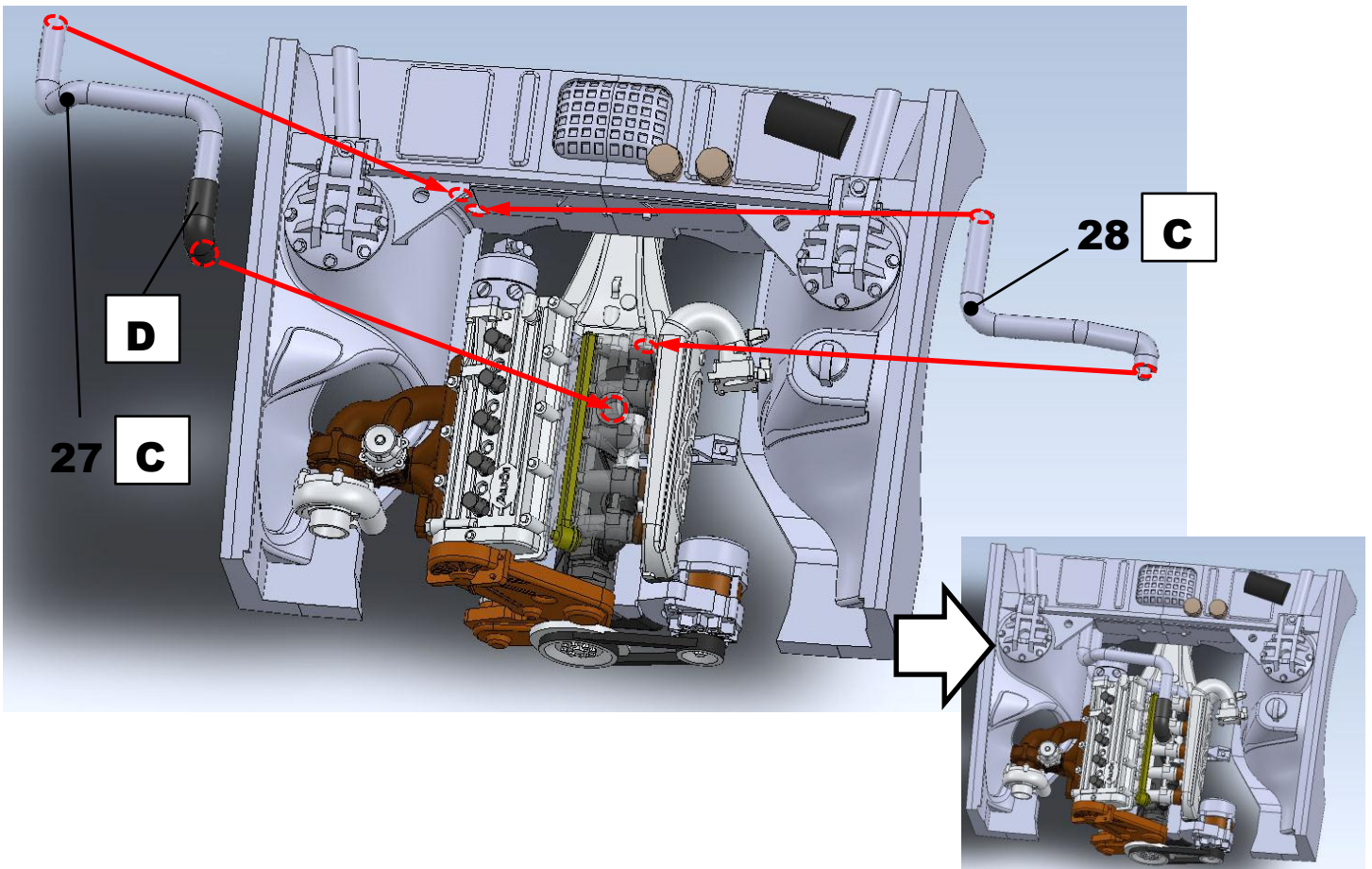
8. Installation engine bay (part 30) to chassis



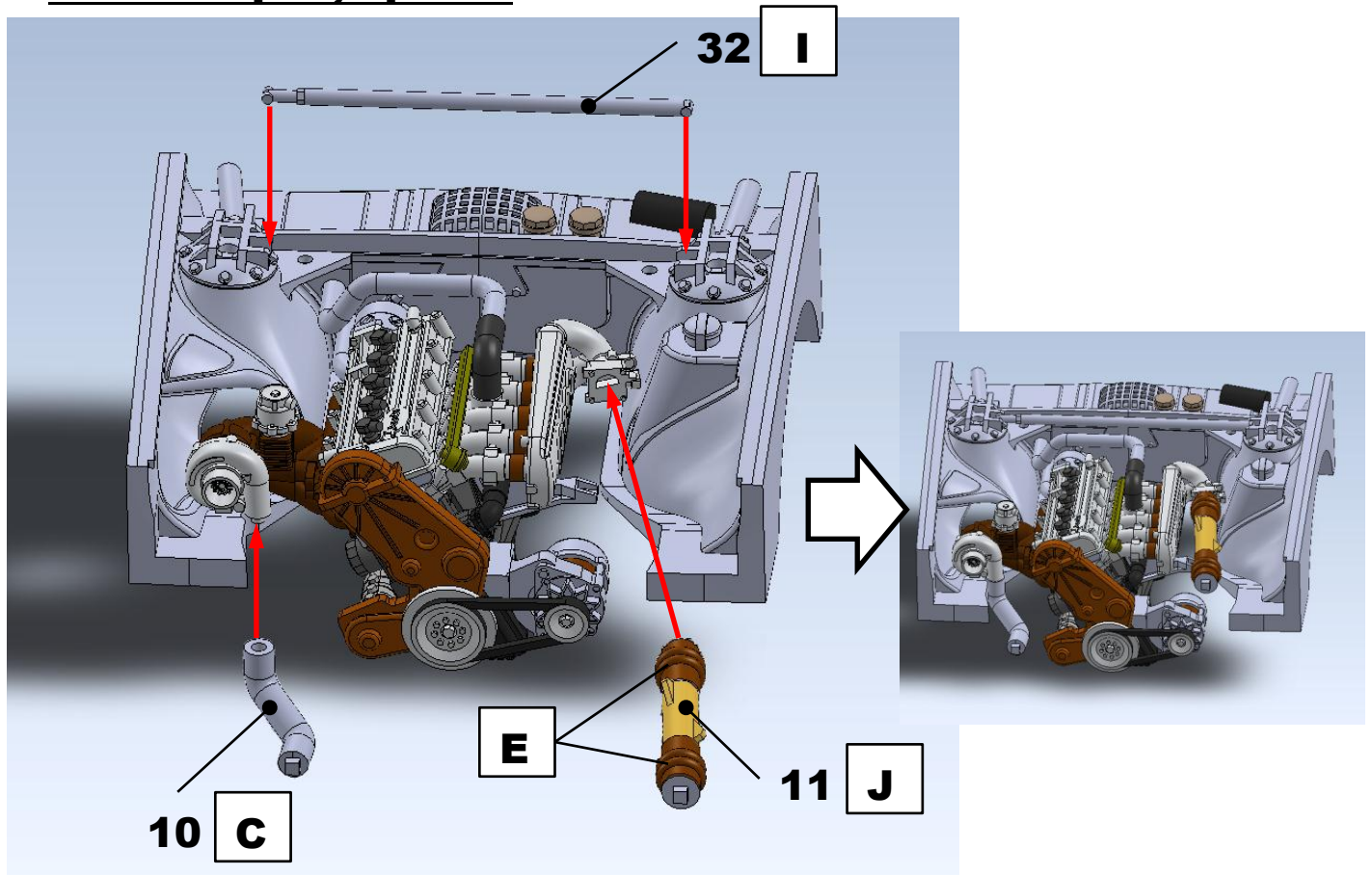
9. Engine installation



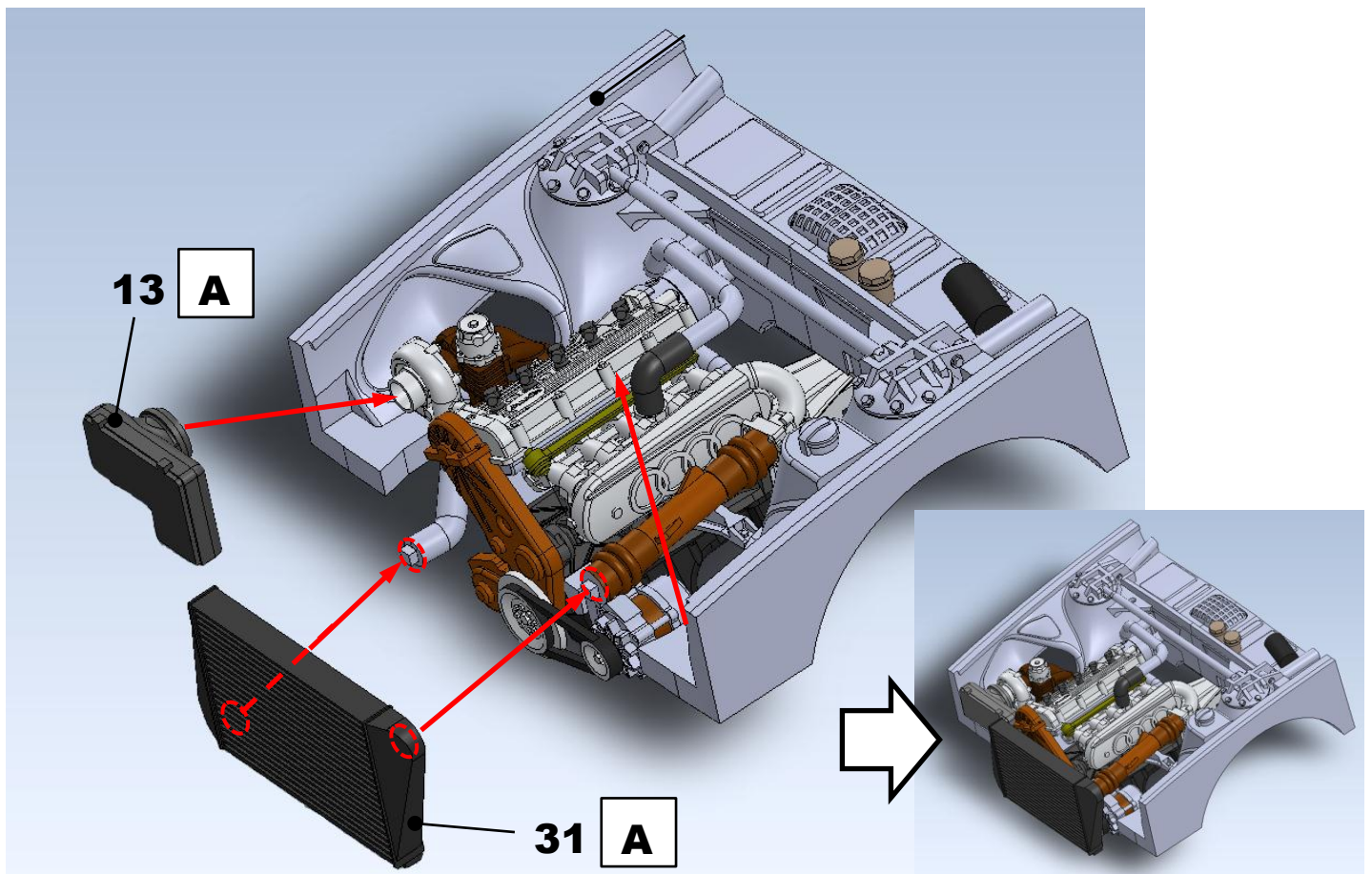
10. Coolant Pipes



11. Air Pipes, spacer



12. Intercooler, Air filter



- **Part #33 must be glued to front grill from kit from inside and painted in semi gloss black**
- **Bonnet #34 must be used in place of bonnet from kit**
- **Use fittings #35 for tubes and wires as you wish**